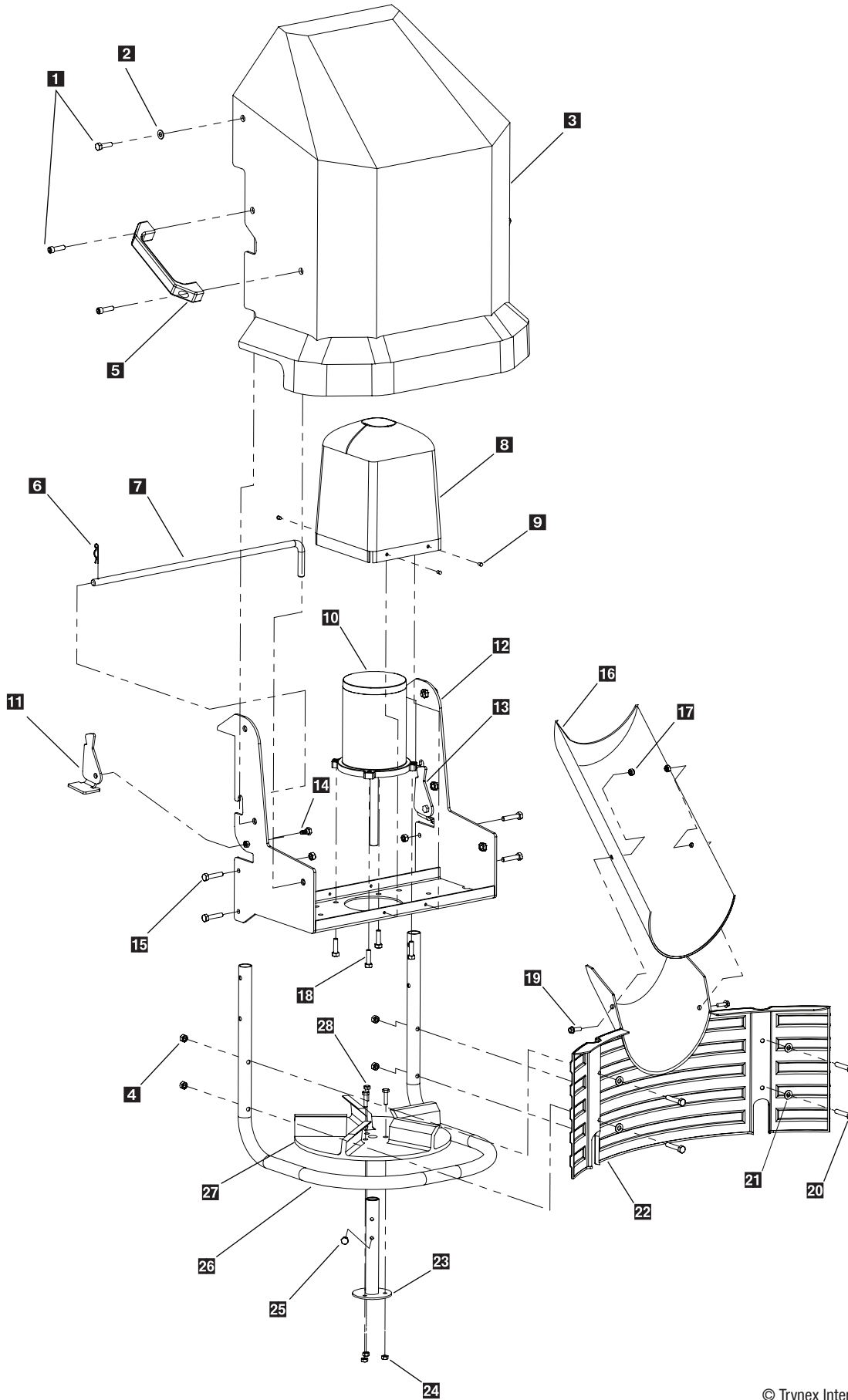


Spinner Drive Assembly Parts Breakdown

Model # SP-8500 & SP-8550



Spinner Drive Assembly Parts Breakdown



Model # SP-8500 & SP-8550

Key	Part No.	Description	Qty.
1	D 5293	5/16-18 x 1-1/8 Socket Head Cap Screw	6
2	D 5249	5/16 Flat Washer	2
3	D 5349	Spinner Shroud	1
4	D 6138	5/16-18 Nylox Zinc	4
5	D 5248	Plastic Handle	2
6	D 4135	Hair Pin Clip	1
7	D 6563	Drive Pin	1
8	D 5346	Spinner Motor Cover	1
9	D 6333	Long Rivet	4
10	D 6887	Drive Motor	1
11	D 5343	Left Hand Latch	1
12	D 5344	8550 Spinner Drive Enclosure	1
13	D 5342	Right Hand Latch	1
14	T15038	Shoulder Bolt	2
15	D 6462	5/16-18 x 1-3/4 Hex Head Bolt	8
16	D 6279	Material Chute 8500 Series	1
17	T 15016	1/4-20 Nylox Stainless	6
18	D 6452	3/8-16 x 1 Serrated Flange Bolt	4
19	D 6132	1/4-20 x 3/4 Serrated Flange Stainless	4
20	D 6462	5/16-18 x 1-1/8	4
21	D 6165	5/16 Flat Washer	4
22	D 6833	Plastic Deflector	1
23	D 6824	Spinner Hub Weldment	1
24	D 4289	1/4" Nylox Nut Zinc	3
25	D 6133	5/16-18 x 1/2 Hex Head	1
26	D 5347	Tubular Spinner Guard	1
27	D 6823	Urethane Spinner	1
28	D 6854	1/4-20 x 1 Serrated Flange	3

