
WESSEX

FM 230

Pasture Topper

OPERATING MANUAL

&

Parts List

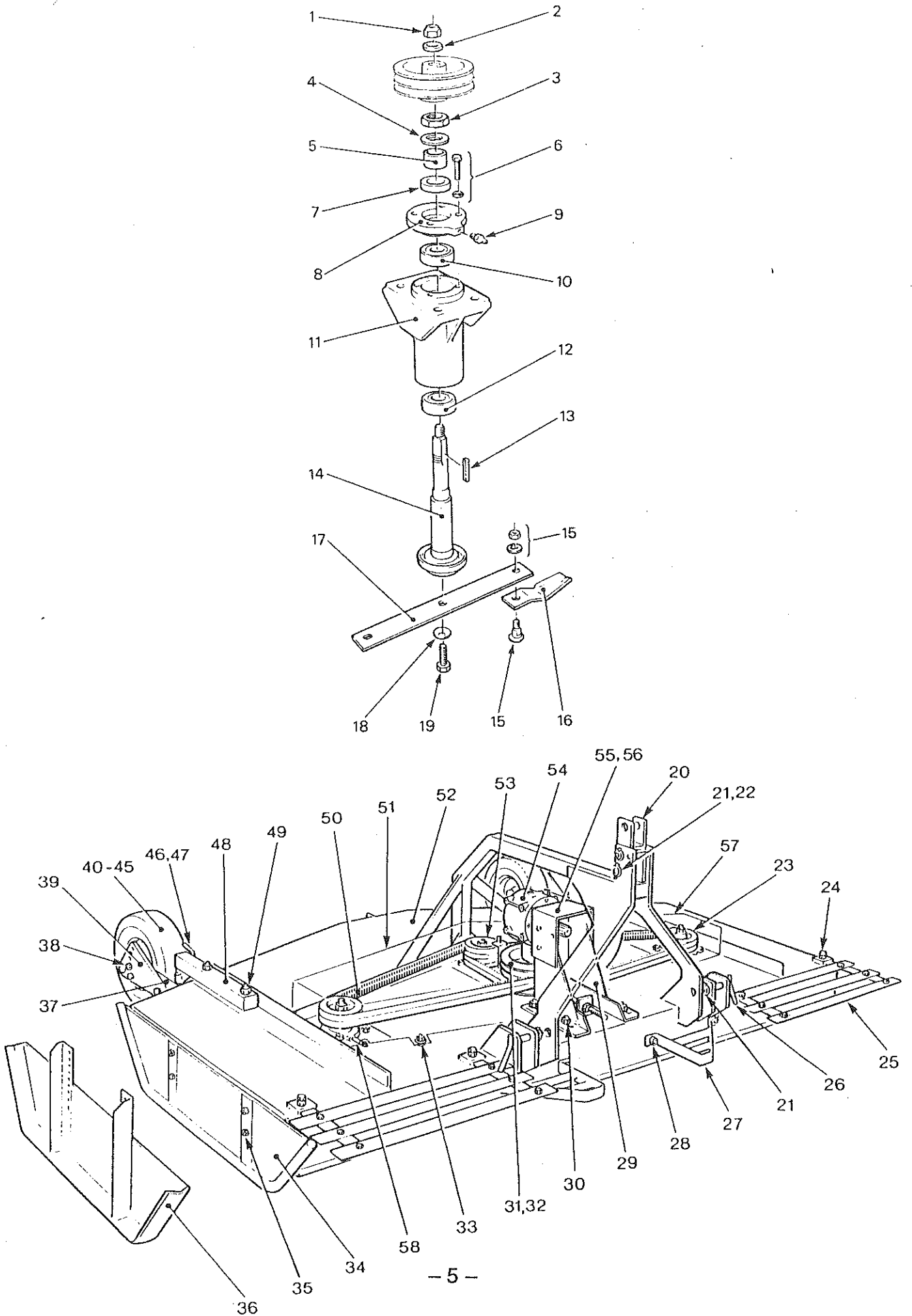
WESSEX FARM MACHINERY SALES CO.

Trading Estate, Oakhanger Road, Bordon,
Hampshire, GU35 9HH.

Telephone: 0420 478111

24hrs parts hotline 0420 474319

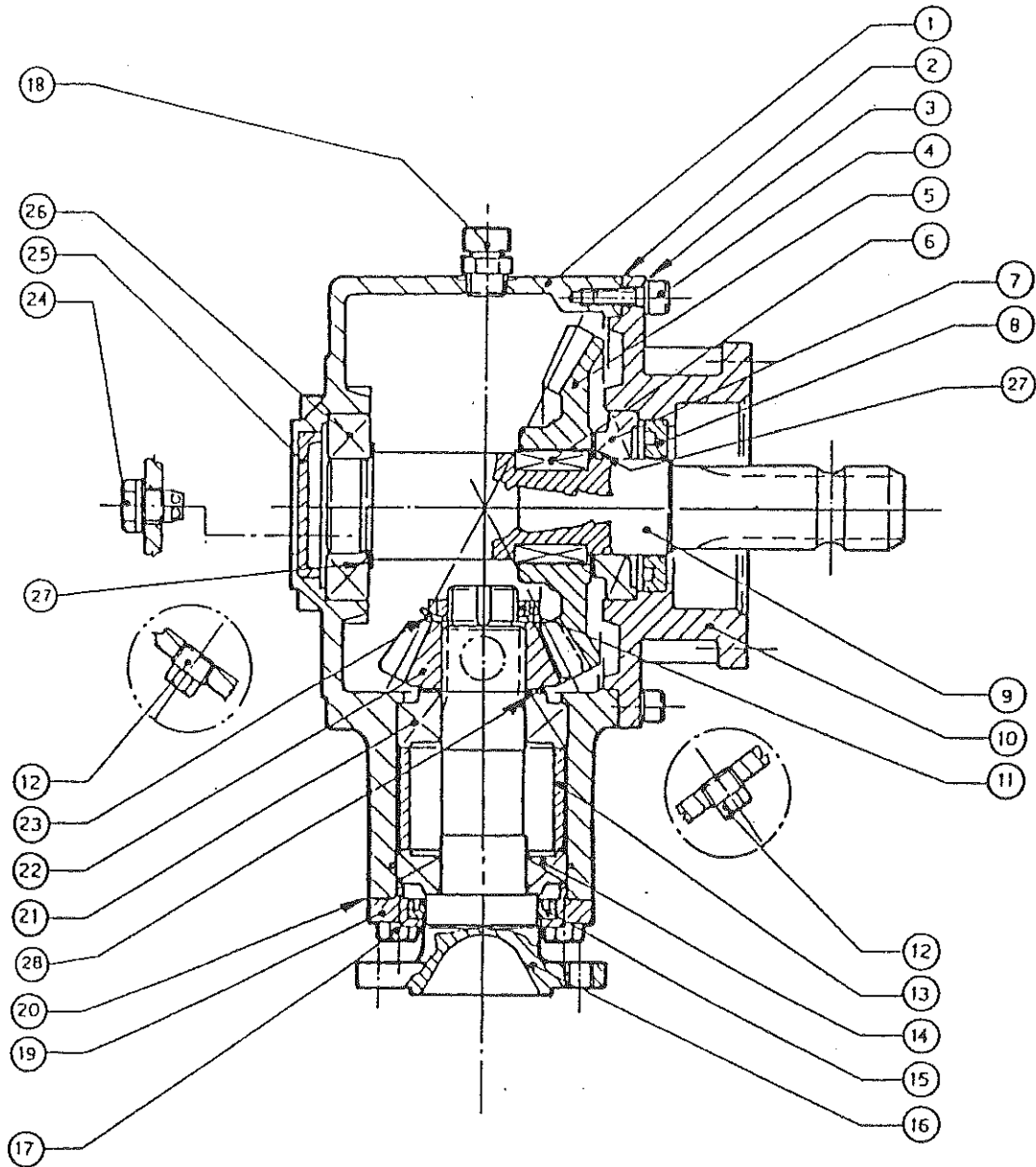
WESSEX FM 230 SPINDLE ASSEMBLY AND PARTS LIST



WESSEX FM 230 SPINDLE ASSEMBLY AND PARTS LIST

1.	W0113	Top Nut	32.	W2101	Fastening Set
2.	W0515	Top Washer	33.	W7701	Fastening Set Guard
3.	W0166	Locking Nut	34.	W1874	Anti-Scalp Skid
4.	W0120	Tab Washer	35.	W1601	Fastening Set
5.	W0266	Spacer	36.	W1774	Skid
6.	W0101	Fastening Set	37.	W0453	Wheel Arm RH
7.	W0145	Oil Seal	NS.	W0553	Wheel Arm LH
8.	W0766	Oil Seal Housing	38.	W2602	Fastening Set
9.	W0146	Grease Nipple	39.	W1253	Quadrant Plate RH
10.	W0338	Top Bearing	NS	W1153	Quadrant Plate LH
11.	W0666	Spindle Housing	40.	W0152	Wheel Complete
12.	W2938	Bottom Bearing	41.	W1353	Tyre
13.	W0147	Key	42.	W0138	Bearing (Inner)
14.	W6666	Spindle	43.	W0238	Bearing (Outer)
15.	W1439	Fastening Set	44.	W0245	Seal
16.	W5570	Blade	45.	W0651	Hub Cap
17.	W5670	Mounting Bar	46.	W1528	Locking Pin
18.	W2325	Disc Spring	47.	W0121	R Clip
19.	W1539	Special LH Thread Bolt	48.	W0253	Wheel Support RH
20.	W6680	Top Link Attachment	NS	W0353	Wheel Support LH
21.	W2928	Top Pin	49.	W2402	Fastening Set
22.	W0227	Linch Pin	50.	W2134	Drive Belt
23.	W0462	Pulley LH	51.	W2178	Belt Cover RH
24.	W2502	Fastening Set Guard	52.	W5079	Mainframe
25.	W9377	Adjustable Guard	53.	W0362	4 Row Pulley
26.	W0326	Bottom Link Pin	54.	W3557	Gearbox Assy
27.	W0178	Front Guard	55.	W1477	Gearbox Guard
28.	W1701	Fastening Set	56.	W2001	Fastening Set
29.	W3657	Gearbox Bracket	57.	W2278	Belt Cover LH
30.	W0801	Fastening Set	58.	W0146	Grease Nipple
31.	W0262	Pulley Main	N.S.	W0562	Pulley RH

GEARBOX COMPLETE PART NO. W.3557



Pos	Drg. No.	Piec	Description	Pos	Drg. No.	Piec	Description
1	0.244.0508.00	1	Casing	15	8.7.3.00101	1	Oil Seal
2	0.247.7201.00	1	Gasket	16	0.244.2201.00	1	Shaft
3	8.3.7.00140	6	Spring Washer	17	8.1.1.00041	4	Bolt
4	8.1.2.00785	6	Bolt	18	8.6.7.00161	1	Oil Filler Plug
5	0.244.6203.00	1	Gear Z29	19	0.244.1510.00	1	Cover
6	8.4.1.00057	2	Parallel Key	20	0.244.7202.00	1	Gasket
7	8.0.9.00024	1	Bearing	21	8.0.9.00127	1	Bearing
8	8.7.3.00407	1	Oil Seal	22	0.244.5205.00	1	Pinion Z15
9	0.244.3213.00	1	Shaft	23	8.3.8.00549	1	Spring Washer
10	0.244.1507.00	1	Cover	24	8.6.4.00673	1	Lev. Warning Light
11	8.2.5.00548	1	Locknut	25	8.7.0.00743	1	Cap
12	8.6.5.00006	2	Plug	26	8.0.1.00871	1	Bearing
13	0.244.7120.00	1	Spacer	27	0.244.7500.00	2	Shim
14	8.0.9.00600	1	Bearing	28	0.259.7500.00	1	Shim