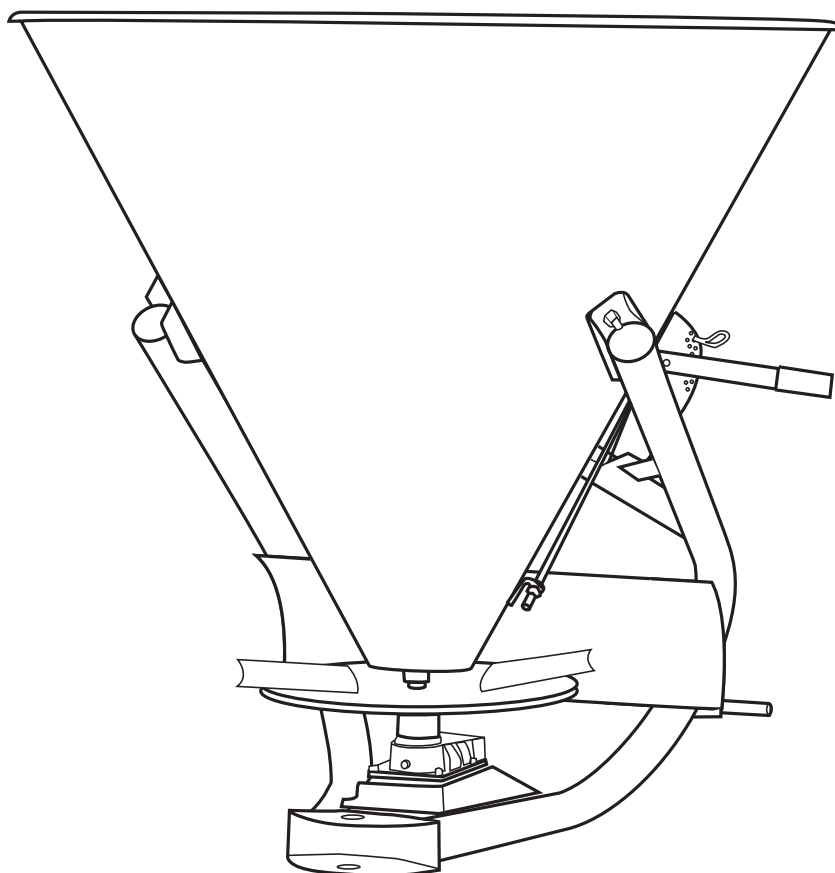


# Operation Manual and Parts Book

Wessex Country FS270 and FS360 Mounted Spreaders



---

Product Code: L2034

## CONTENTS

---

Welcome to your new Wessex Product .....	1
Safety Decals .....	2
Important Safety Warnings .....	3
Warranty .....	4
Coupling up your 3 Point Linkage Spreader / Setting up your Spreader .....	5
Hopper loading and transport .....	5
Maintenance .....	5
Calibration .....	6
Adjustment of spread pattern .....	6
Adjusting material flow rate .....	7
Adjusting material flow rate - Spreading Chart .....	8
Specifications .....	8
Troubleshooting .....	9
Parts Illustration - Hopper Assembly .....	10
Parts Illustration - Gearbox Assembly .....	11
Parts Illustration - Agitator .....	12
Parts List .....	13, 14
P.T.O. Shaft Operation and Maintenance .....	15, 16
CE Certificate .....	17

## **WELCOME TO YOUR NEW WESSEX PRODUCT**

---

Thank you for purchasing a Wessex product. As a Wessex customer, you now number among the most important people of our business and we will endeavour to give you the best service available through our dealer network.

Please read this Manual carefully and familiarise yourself and other persons that will be using the machine with its contents, to ensure the optimum performance and working life of your machine. It is advisable that a copy of this Manual is kept in the workshop and one copy with the machine. Further copies are available through your dealer.

On delivery, your dealer should go through the workings of the machine with you, explaining the setting up procedures, all of which are contained in this manual for further reference. The Warranty Registration Form must also be completed and returned to us **within 7 days of delivery** in order to validate the Warranty.

**PLEASE READ THE FOLLOWING PAGES CAREFULLY BEFORE USING YOUR MACHINE  
AND KEEP THIS MANUAL IN A SAFE PLACE.**



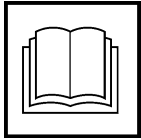
**THIS SAFETY SYMBOL IS TO ALERT OPERATORS OF A HAZARD  
THAT MAY RESULT IN INJURY.  
ALWAYS FOLLOW INSTRUCTIONS CAREFULLY**

## SAFETY DECALS

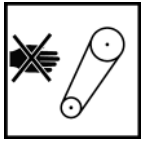
---



- GB **ATTENTION** Description of pictograms.  
 F **ATTENTION** Description des pictogrammes.  
 D **VORSICH** Beschreibung der piktogramme.



- GB Read Operating manual before use.  
 F Lisez Manual D'Opération avant l'utilisation.  
 D Vor der Benutzung, Betriebshandbuch lesen.



- GB Never remove guards or attempt adjustment until rotor has stopped.  
 F Ne retirez jamais les gardes ou d'ajustement tentative jusqu'à ce que toutes les pièces mobiles ont été interrompus.  
 D Schutzvorrichtung niemals abnehmen oder einstellung versuchen, bevore der rotor abstellt.



- GB Bystanders must be at least 20 metres from machine range of action.  
 F Des spectateurs doivent s'écarter au moins 20 mètres du rayon d'action de la machine.  
 D Umstehenden müssen sich mindestens 20 meter vom maschinenbetriebsraum entfernen.



- GB Protective eyewear, footwear, gloves and ear protectors must be worn.  
 F Lunettes de protection, chaussures gants, protégés-oreilles doivent êtres portées.  
 D Schutzbrille, schuhe, handschuhe une Gerhørschutz getragen warden muss.



- GB Stand clear. Flying objects possible.  
 F S'écartez! Possibilité d'objets volants.  
 D Zurückbleiben! Herumfliegende objekte möglich



- GB Do not use without pto shaft guard.  
 F Ne pas utiliser sans de dispositif de sûreté de l'abre (arbre d'entraînement).  
 D Nicht benutzen ohne p.t.o. (antriebswelle) schutvorrichtung.

## IMPORTANT SAFETY WARNINGS

---



Wessex machines are guarded for your protection, but you must always observe certain elementary precautions. Machines are potentially **dangerous** and should be used with the greatest respect and **ALL OPERATORS MUST** read this manual and be aware of all safety precautions.

1. **NEVER** attempt any adjustment whatsoever, unless the machine is **COMPLETELY** at a standstill.
2. **NEVER** attempt to clear any obstructions around the mower unless the machine is **COMPLETELY** at a standstill.
3. **NEVER** remove belt guards unless the machine is **COMPLETELY** at a standstill.
4. **NEVER** remove safety guards which are provided for your protection.
5. **NEVER** operate the machine with people behind, keep everybody (especially children and animals) at a safe distance, **minimum 20 metres**.
6. Stand well back from the machine when rotor is spinning.
7. Regularly inspect the **DISTRIBUTOR VANES AND FIXING BOLTS** to ensure that they are in tip-top condition. Replace blades **IMMEDIATELY** if any signs of fracture or excess wear becomes apparent. Serious damage, which is excluded from our warranty conditions, may result from using your mower with an unbalanced rotor. When replacing blades, always fit new mounting bolts and nuts to ensure that the rotor is balanced and running smoothly.

### HEALTH AND SAFETY - Noise at Work Regulations

#### READING AT THE OPERATORS EAR

Depending on conditions and material being spread, this reading may alter, it is therefore advisable for users to do their own assessment.



In compliance with the above regulations, Ear Protectors must be worn when operating machinery.

## WARRANTY

---

Your Wessex product or equipment is warranted free from defect in workmanship or manufacture for one year from date of purchase. Any parts which appear to us to be defective, either in material or workmanship shall be replaced or repaired at no cost to the purchaser, subject to the following conditions:

1. The registration card enclosed with this booklet must be returned to us within seven days of purchase.
2. Any failure in the machine should be reported in the first instance immediately to your dealer, who will act on your behalf to resolve the matter to your satisfaction.
3. The defective parts will be returned by your dealer to us, accompanied by a full statement describing the failure and the circumstances and conditions in which the failure occurred.
4. The following are specifically excluded from our terms of warranty:
  - a) Fair wear and tear, especially to belts, brushes, blades and spinners.
  - b) Damage to blades or brushes caused through incorrect positioning of the rotor (see instructions).
  - c) Damage caused by neglect or lack of lubrication.
  - d) Damage caused by misuse or abuse.
  - e) Damage caused whilst the machine is in transit.
  - f) Damage caused to the frame of the machine by running the machine with unbalanced rotors, blades or spinners.
  - g) Damage caused to the machine by use with loose nuts, bolts, screws or any other type of fittings.
5. The warranty is for the benefit of the first user only.
6. Wessex International decisions will be final and binding.

**Note:**

**It is recommended that every machine is inspected after one hour of operation to check that all nuts, bolts, screws or any other types of fixings are tight and any loose fixings or components should be rectified as appropriate.**

**Further inspections should be carried out at regular intervals thereafter.**

## **COUPLING UP YOUR 3 POINT LINKAGE SPREADER**

---

- Reverse your tractor up to your spreader, connect the tractor bottom link arms to the spreader and secure with lynch pins. Ensure that the spreader is level from side to side, this can be adjusted on the tractor link arms, then tighten the tractor check chains to avoid sideways movement.
- Connect the tractors top link to the spreader. The top link should be adjusted so that the spreader disc is level with the ground when working.
- Connect the P.T.O. shaft to the spreader, the tractor end is clearly marked on the P.T.O. shaft. Take particular care to ensure that the shaft is not too long, this can easily be shortened (see P.T.O. instructions on pages 16 and 17).

## **SETTING UP YOUR SPREADER**

---

- Ensure that the spinning disk is set as level as possible with the ground. This can be adjusted on the drawbar on the trailed version, or on the top link on the tractor version. Before spreading read the full instructions of the spreader.

## **HOPPER LOADING & TRANSPORT**

---

- Only load hopper when machine is hitched to the tractor.
- Do not load above the hopper rim.
- Do not stack full bags of material on top of a loaded spreader, as this will compact the material and affect the flow when spreading.

## **MAINTENANCE**

---

### **Regularly**

- Inspect the spinner disk as an unbalance disk will cause vibration.
- Always clean thoroughly using a Pressure Washer after use, as fertiliser and salt are corrosive materials.
- Regularly grease the P.T.O. shaft.
- Never store machine with material in the hopper.
- Always store in the dry, never outside in the weather.
- Check tyre pressures regularly.

## CALIBRATION

---

- Although we are able to produce a material spreading chart, it is by no means accurate for every fertiliser, top dressing or seed that is likely to be spread by this machine. Differing material density particle size and moisture content all affect the flow rate and spread pattern that the machine provides.
- Any material used with this machine must be dry, free flowing and stored in dry conditions to maintain its quality.
- To accurately ascertain the spread rate pattern and quality the machine should be calibrated by the use of test trays.

## ADJUSTMENT OF SPREAD PATTERN

---

- In order to achieve a balanced spread pattern with even material application the angle of the spreader vanes must be adjusted, via the means of 4 adjustment position holes for each vane.
- The holes number 1 to 4 for each vane. All vanes must be placed in the same number hole.



- To move the spread pattern more to the left (when viewing spreader from the rear of the operating vehicle) place all the holes in hole position 1-2. To move the pattern more to the right move the vanes to hole position 3 or 4.
- When viewing spread pattern take care to ensure all persons and animals are away from the possible maximum spread pattern. Always wear safety goggles.

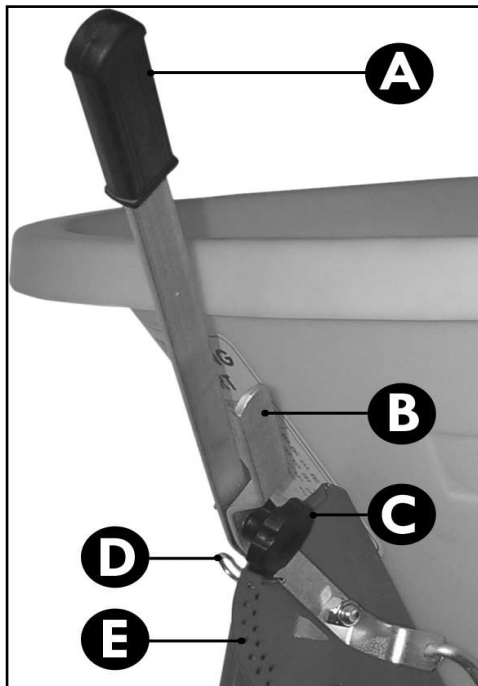


## ADJUSTING MATERIAL FLOW RATE

---

- The material flow rate is adjusted by the positioning of the regulation lever. Consult the material spreading chart for the appropriate position for the regulation lever.
- For fine calibration consult the 'Calibration' section of the handbook.
- The lever positions work as follows:-

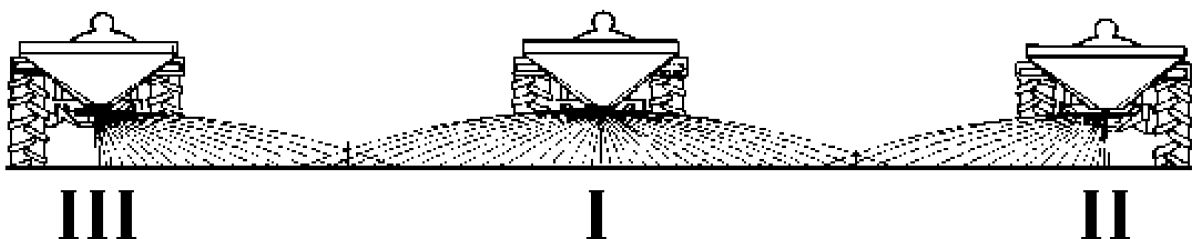
After consulting the spreading chart, according to the type of material being spread and the ground speed, move the lever "A" along the graduated scale "E", lock the lever in position with the clip "D".



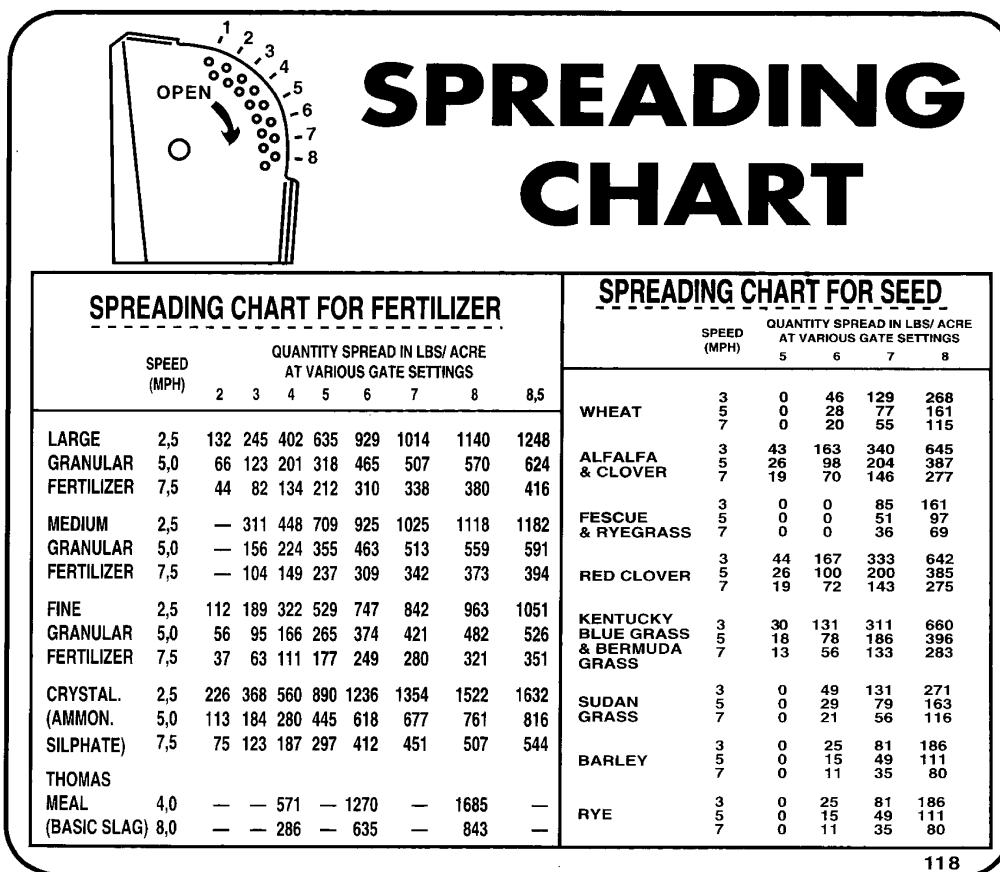
In order to spread from both sides (**ref. I**), "A" and "B" levers must be in the same position, connected by the grip handle "C".

In order to carry out the spreading only on the left hand side (**ref. II**), it is necessary to disconnect the two levers by removing the grip handle "C". Set the lever "B" in the correct position, given by the spreading chart, and bring lever "A" towards position 1 in order to close the shutter on the right hand side.

In order to spread only on to the right hand side (**ref. III**) you have to move the lever "B" up to position 1 and regulate the quantity to spread with the lever "A".



## ADJUSTING MATERIAL FLOW RATE



118

## SPECIFICATIONS

	<b>FS 270</b>	<b>FS 360</b>
Hopper Capacity (litres)	270	360
Hopper Width (cm)	110	116
Machine Weight (kg)	58	63
Machine Width (cm)	110	116
Loading Height (cm)	105	113
Length (cm)	110	116
Spreading Width (metres)	8 - 14	8 - 14
Ground Covered Per Hour	from 27 to 55 ha/h	from 7 to 15 acres/h

## TROUBLE SHOOTING

FAULT	POSSIBLE CAUSE	POSSIBLE SOLUTION
Spinner not turning	1. Agitator causing drag in dry material	Remove agitator when spreading dry material
Spread pattern too narrow / wide	1. Optional spread deflector incorrectly adjusted 2. Speed too slow / fast	Adjust deflector  Adjust forward speed
Spread pattern uneven	1. Incorrect adjustment  2. Spreading disc not level 3. Disc caked in material debris 4. Travel speed in work excessive 5. Disc or disc vanes worn excessively	Consult 'how to adjust spread pattern' guide in this handbook.  Adjust tow bar height to level Clean spreading disc  Reduce speed  Replace disc / vanes
Material not flowing from machine	1. Material too wet  2. Material of inconsistent quality  3. Foreign body in hopper blocking material aperture	Only use spreader with dry free flowing material Store material in a dry store Buy higher quality material Fit optional in hopper grid to break down large lumps  Remove foreign body

# PARTS ILLUSTRATION - HOPPER ASSEMBLY

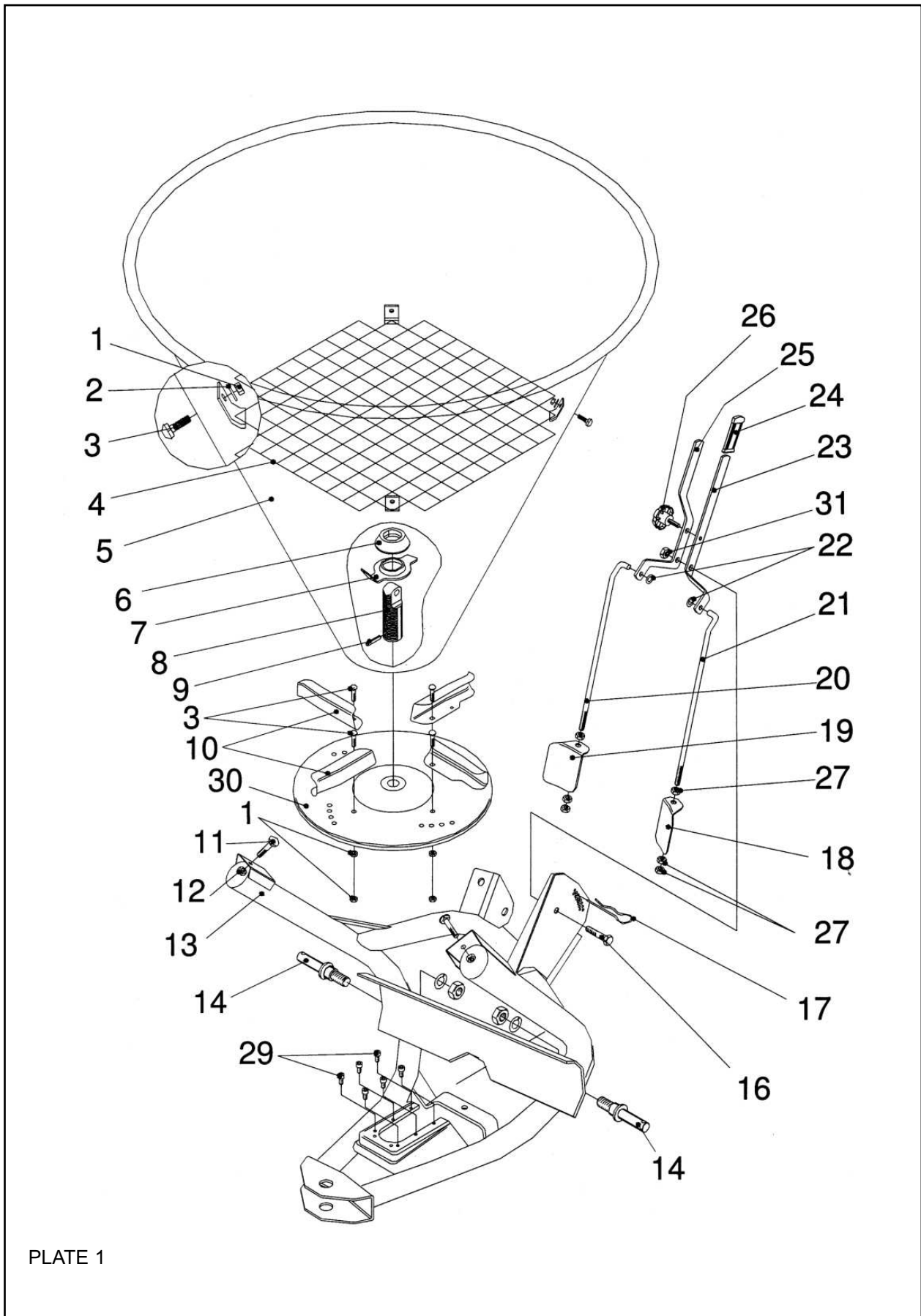


PLATE 1

**PARTS ILLUSTRATION - GEARBOX ASSEMBLY**

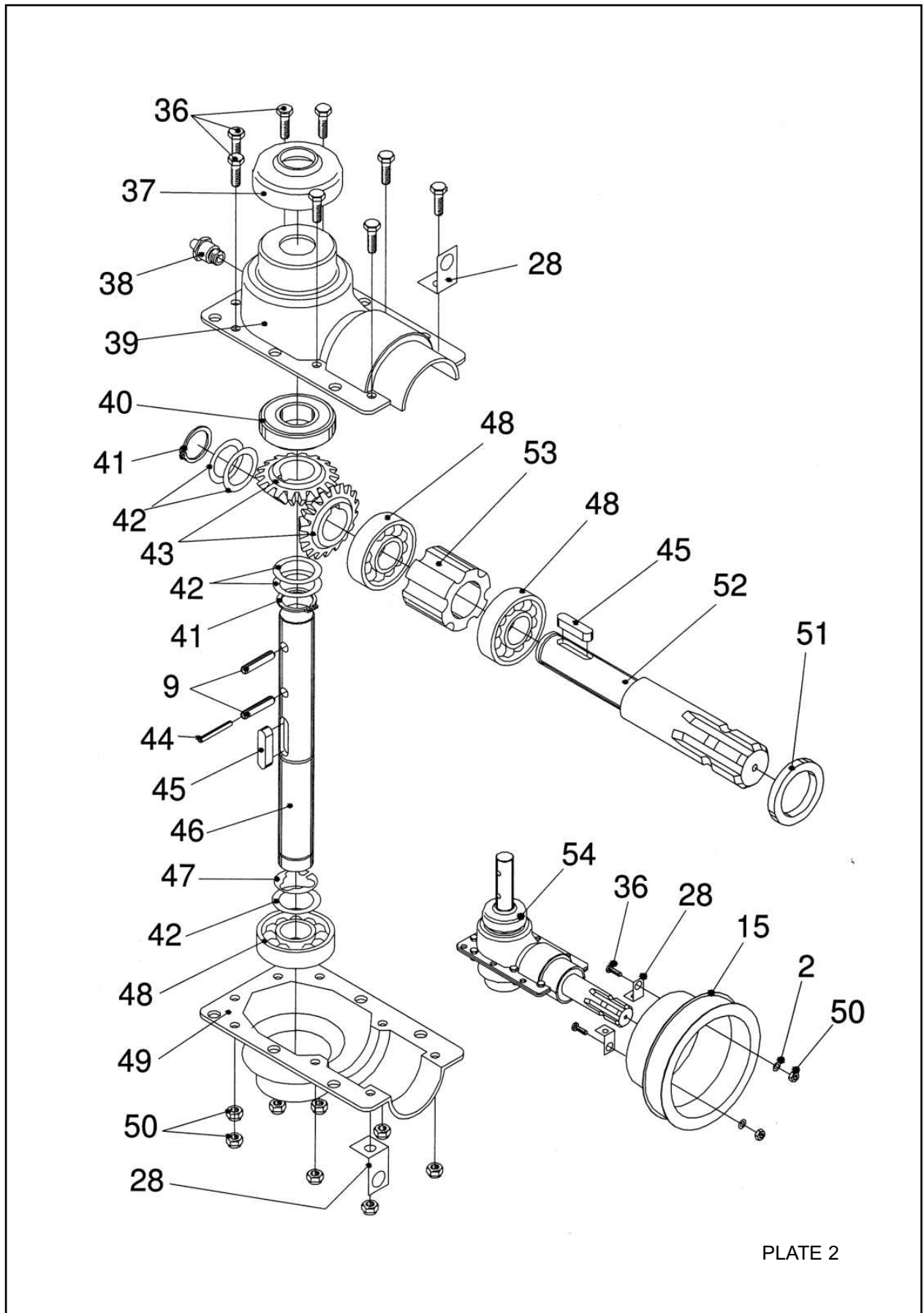


PLATE 2

PARTS ILLUSTRATIONS - AGITATOR

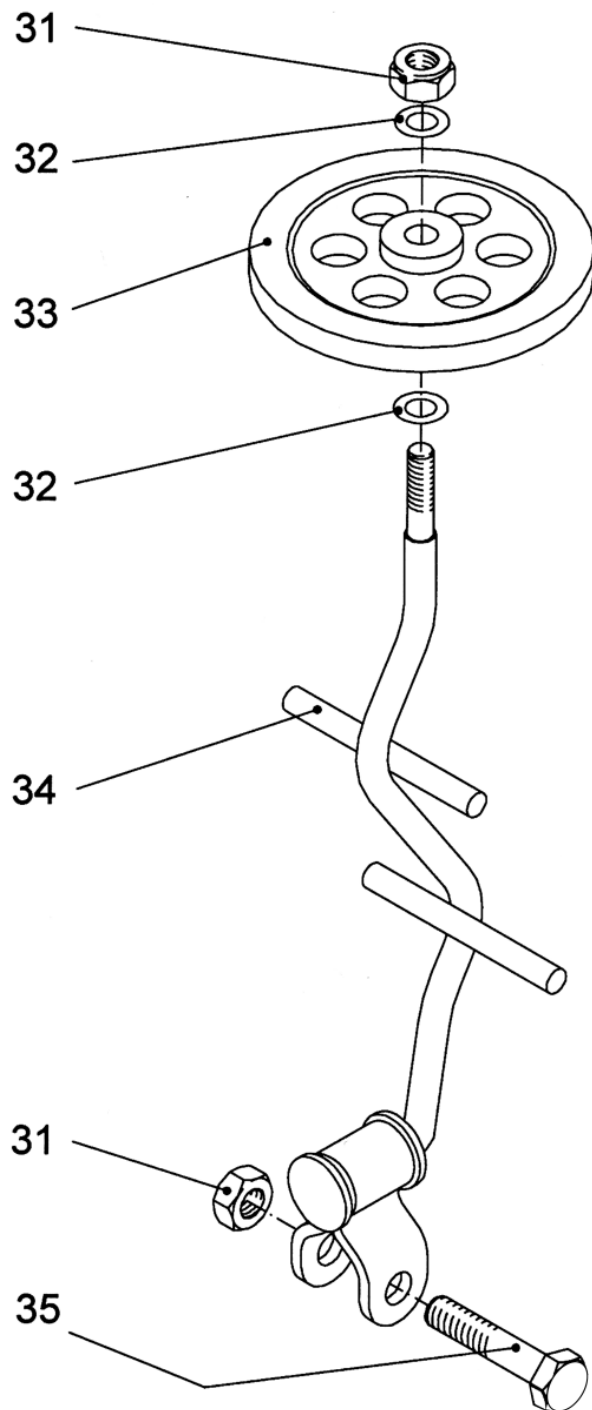


PLATE 3

## PARTS LIST

Item No.	Part No.	Description	Qty
1	COS-301.012	Nut	8
2	COS-303.007	Washer	8
3	COS-300.030	Roundheaded Screw	8
4	COS-642.001	Protective Grate	1
5	COS-609.013	Hopper - 360	1
5	COS-609.011	Hopper - 270	1
6	COS-304.013	Rubber Ring	1
7	COS-619.002	Lower Agitator	1
8	COS-330.001	Spigot	1
9	COS-305.001	Spring Pin	2
10	COS-601.001	Distributor Vane	4
11	COS-300.023	Roundheaded Screw	3
12	COS-301.010	Nut	3
13	COS-613.003	Frame Without Lower Link Pins	1
14	COS-633.001	Lower Link Pin	2
15	COS-304.006	CE Shield	1
16	COS-300.024	Hexagonal-Head Screw	1
17	COS-307.001	Split Pin	1
18	COS-605.004	Left Shutter	1
19	COS-605.003	Right Shutter	1
20	COS-602.001	Right Tie Rod	1
21	COS-602.002	Left Tie Rod	1
22	COS-303.009	Washer	2
23	COS-604.002	Left Lever	1
24	COS-304.008	Rubber Grip	1
25	COS-604.001	Right Lever	1
26	COS-302.003	Lever Lock Knob	1
27	COS-301.014	Nut	6
28	COS-606.012	Bracket For Gear Box "CE"	2
29	COS-300.014	Cheese-Headed Screw	6
30	COS-610.013	Stainless Steel Spreader Disc Without Distributor Vanes	1
30	COS-610.014	Stainless Steel Spreader Disc With Distributor Vanes	1
31	COS-301.008	Self Locking Nut	1 + 2
32	COS-303.026	Washer	2
33	COS-304.011	Buffer Wheel	1
34	COS-613.009	Upper Agitator Frame	1
35	COS-300.025	Hexagonal-Head Screw	1
36	COS-300.026	Hexagonal-Head Screw	8
37	COS-304.002	Output Shaft Cowling	1
38	COS-306.002	Grease Nipple	1

## PARTS LIST

Item No.	Part No.	Description	Qty
39	COS-314.002	Upper Shell	1
40	COS-310.001	Bearing	1
41	COS-313.011	Circlip	2
42	COS-303.011	Washer	5
43	COS-316.003	Pinnon	2
44	COS-305.003	Spring Pin	1
45	COS-326.003	Spline Key	2
46	COS-323.009	Output Shaft	1
47	COS-313.010	Split Ring	1
48	COS-310.002	Bearing	3
49	COS-314.001	Lower Shell	1
50	COS-301.009	Self Locking Nut	8
51	COS-309.001	Oil Seal	1
52	COS-323.008	Input Shaft	1
53	COS-329.001	Spacer	1
54	COS-322.002	Gearbox	1
55	COS-300.029	Hexagonal-Head Screw	2
56	COS-301.012	Nut	5
57	COS-303.013	Washer	3
58	COS-606.009	Support Bracket	1
59	COS-606.010	Sheet Guard	1
60	COS-311.001	PTO Shaft RS1 510	1
	COS-619.004	Complete Agitator	1
	COS-618.006	Complete Lever Group Assembled	1
	COS-618.001	Complete Right Lever Group Assembled	1
	COS-618.002	Complete Left Lever Group Assembled	1



## PTO SHAFT OPERATION AND MAINTENANCE

---

### IMPORTANT!

**PTO drive shafts must only be used for their intended purpose.**

PTO drive shafts are designed for specific machine types and power requirements.

They must not be replaced by other models.

Ensure that the PTO drive shaft is securely connected.

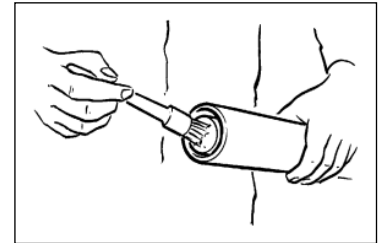
**Only use a completely protected drive system:**

PTO drive shaft with complete guard and complementary guard on tractor and implement. A complete guard is essential in all working positions.

## LUBRICATION

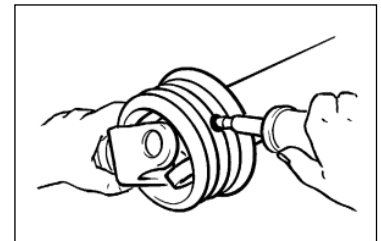
---

Lubricate with quality grease before starting work and every 8 operating hours.



Clean and grease the PTO drive shaft before each prolonged period of non-use.

Grease the guard tubes in winter to prevent freezing.



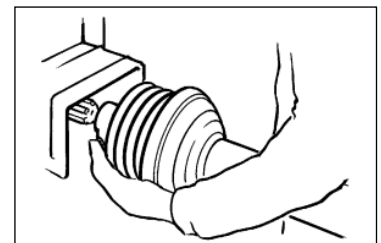
## COUPLING THE PTO SHAFT

---

Clean and grease the PTO and PIN

### Q.-d pin

Press q.-d. pin and simultaneously push PTO drive shaft onto PTO until pin engages.



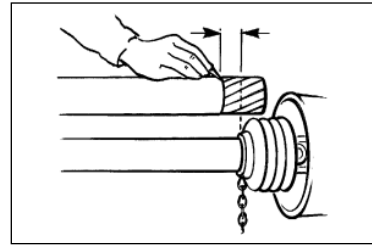
# PTO SHAFT OPERATION AND MAINTENANCE

---

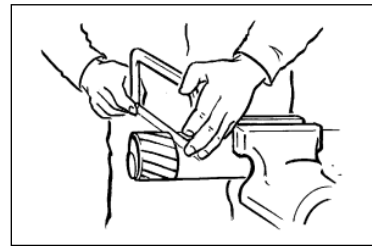
## LENGTH ADJUSTMENT

---

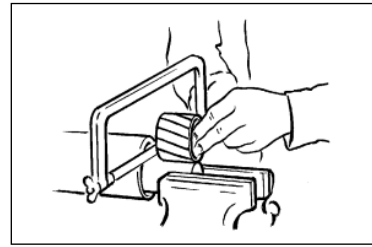
To adjust the length, hold the half-shafts next to each other in the shortest working position and mark them.



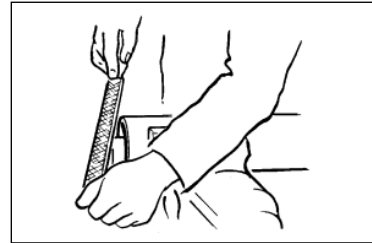
Shorten inner and outer guard tubes equally.



Shorten inner and outer sliding profiles by the same length as the guard tubes.



Round off all sharp edges and remove burrs.  
Grease sliding profiles.

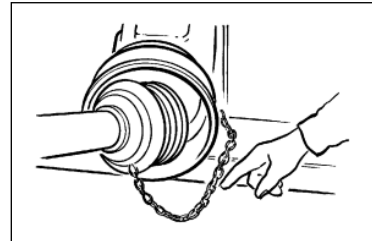


No other changes may be made to the PTO drive shaft and guard.

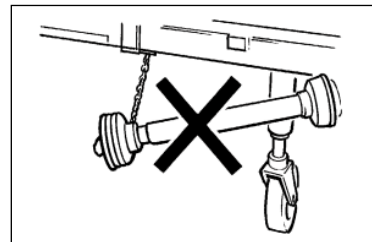
## CHAINS

---

Chains must be fitted so as to allow sufficient articulation of the shaft in all working positions.



The PTO drive shaft must not be suspended from the chains!





## *Certificate of CE Conformity*

**Machine Model:**

FS270, FS360

**Description:**

Spreader

*I hereby certify that the machine detailed hereon  
conforms to:*

**European Directives 2008/42/EC  
Supply of Machinery Regulations 2008  
As amended 91/368EEC – 93/44EEC – 93/68EEC**

**Signed:**

A handwritten signature in black ink, consisting of a large, stylized 'W' followed by a horizontal line and a flourish.

.....  
Quality Manager

Date:

October 2011

### **Wessex International**

Charlton House, Caxton Place, East Portway Industrial Estate, Andover, Hampshire SP10 3QN  
Telephone: 01264 345870 Fax: 01264 345 880

[www.wessexintl.com](http://www.wessexintl.com)



**Wessex International**  
**Charlton House, Caxton Close, East Portway Industrial Estate, Andover Hampshire. SP10 3QN**  
**Telephone: 01264 345870 Fax 01264 345880**  
**e-mail: [sales@wessexintl.com](mailto:sales@wessexintl.com)**

**[www.wessexintl.com](http://www.wessexintl.com)**

---