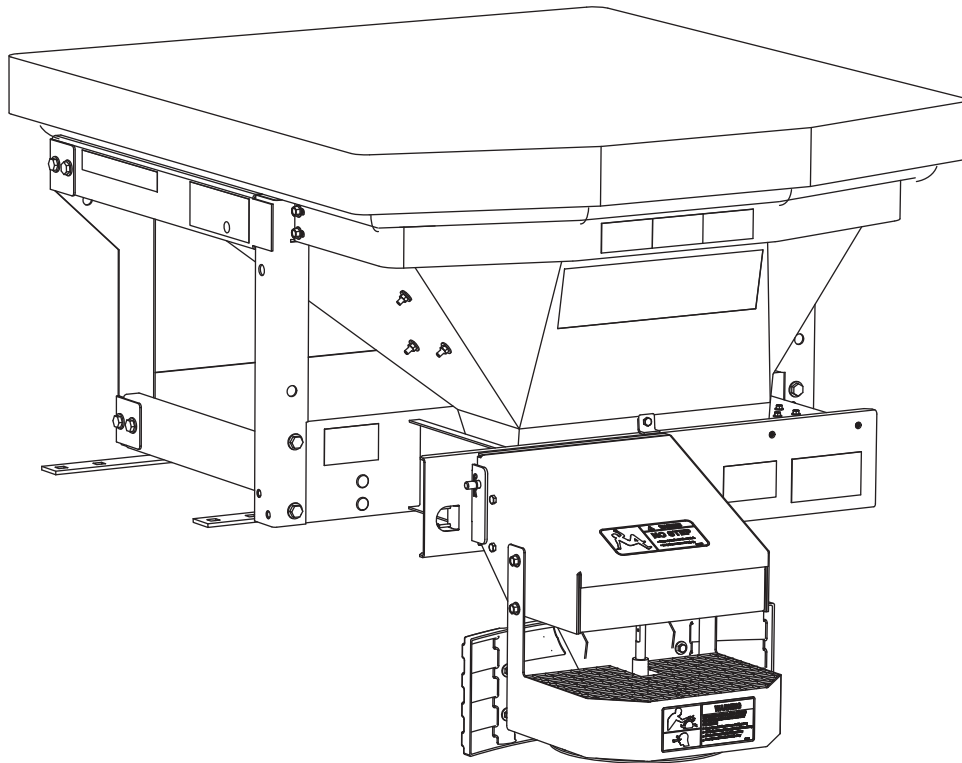




SP-2000 UTV Hopper Spreader

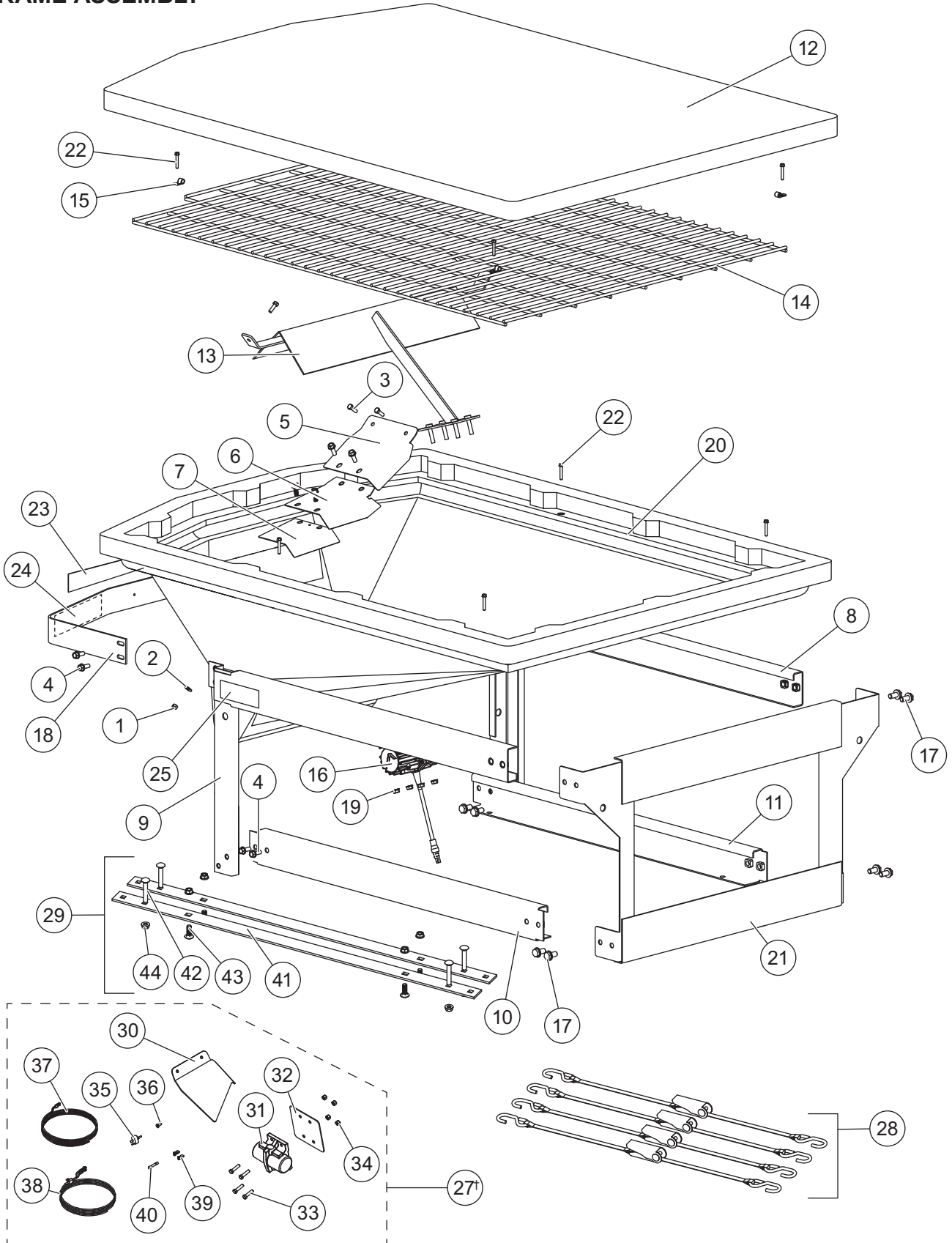
Parts List



This parts list is for SP-2000 UTV hopper spreaders with serial numbers beginning with 160901.

SP-2000 UTV HOPPER SPREADER

FRAME ASSEMBLY

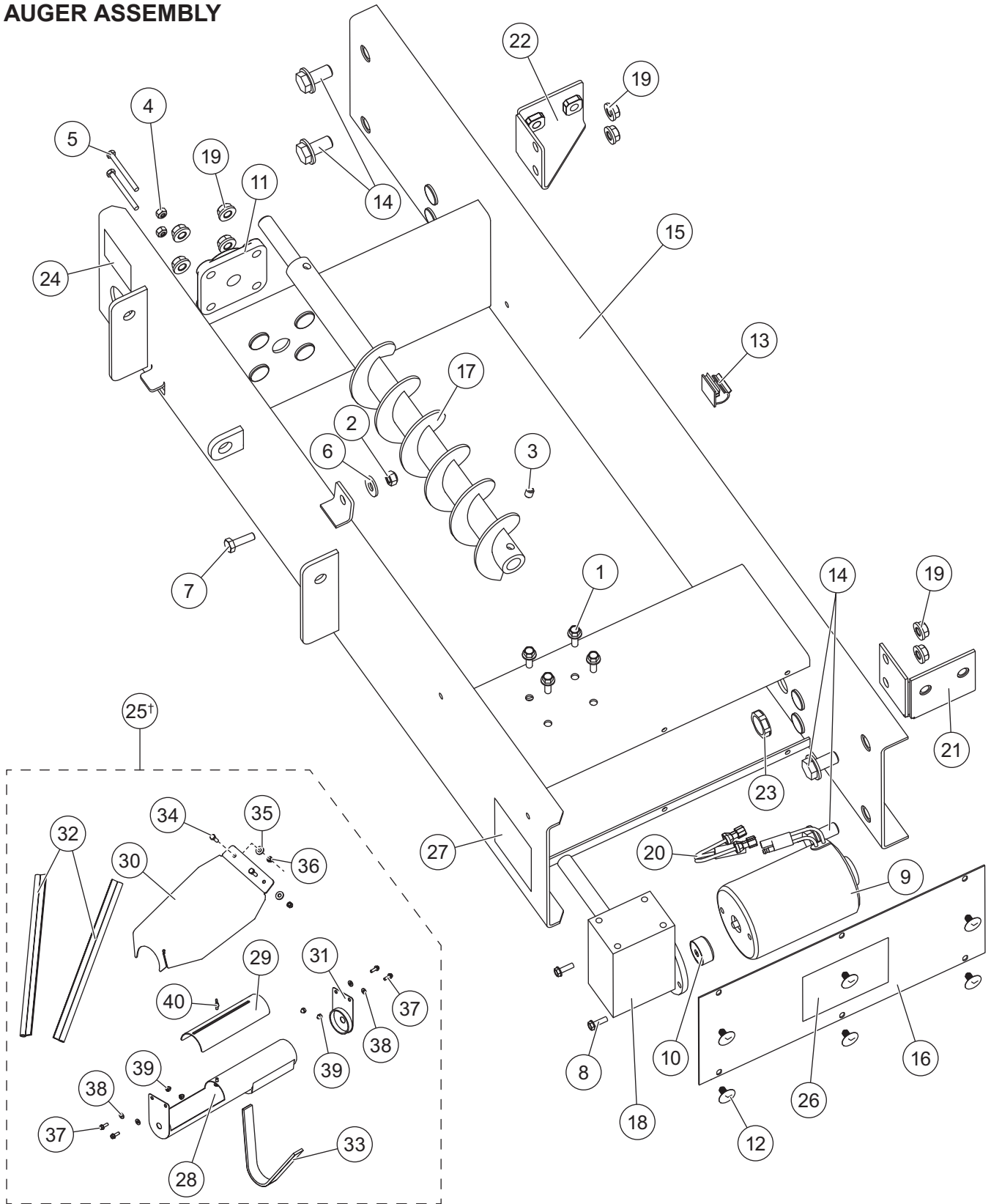


SP-2000 UTV HOPPER SPREADER

Frame Assembly							
Item	Part	Qty	Description	Item	Part	Qty	Description
1	91332	4	5/16-18 Hex Locknut GB	15	51066	4	5/16 Clamp
2	90313	4	5/16 Flat Washer	16	51068	1	DC-200 Vibrator
3	68494	4	5/16-18 x 1 Hex Cap Screw	17	51074	8	1/2-13 x 1 Serrated Hex Cap Screw
4	51049	12	3/8-16 x 1 Serrated Flange Type F	18	51075	1	Hopper Apron
5	51052	1	Main Baffle	19	51092	4	3/8-16 Serrated Flange Nut
6	51053	1	Secondary Baffle	20	77003	1	Hopper, 11 cu ft, SnowEx®
7	51054	1	Third Baffle	21	51099	1	Front Frame
8	93120	1	Frame Left	22	51103	8	1/4 x 1-1/2 Driller w/Washer
9	93119	1	Frame Right	23	51104	1	Conspicuity Tape
10	93121	1	Lower Rail Right	24	85182	1	Label, V-Pro 2000 Logo
11	93122	1	Lower Rail Left	25	93107	1	Label, Warning GVWR
12	93116	1	Tarp Kit	27†	51106	1	Optimum Flow Kit
13	93118	1	Inverted V 0.5 yd Hopper	28	51063	1	Ratchet Strap (pkg of 4)
14	93117	1	Top Screen 0.5 yd Hopper	29	93108	1	UTV Mounting Kit
Item 27†				51106 Optimum Flow Kit			
30	88295	1	Opti-Flow Baffle	36	88291	1	Rubber Switch Boot
31	88283	1	DC-80 Vibrator	37	88289	1	Spreader/Vehicle Harness 20'
32	88284	1	Vibrator Backing Plate	38	88290	1	Battery Harness 10'
33	90043	4	3/8-16 x 2 Hex Cap Screw G5	39	88294	2	Spade Connector
34	91333	4	3/8-16 Hex Locknut GB	40	88287	1	Butt Connector
35	88285	1	ON/OFF Switch	ns	88288	1	Dielectric Grease
Item 29				93108 UTV Mounting Kit			
41		2	UTV Mounting Bar	43		8	1/2-13 x 1-1/2 Carriage Bolt
42		4	1/2-13 x 3 Carriage Bolt	44		8	1/2-13 Serrated Flange Nut
		ns = not shown				† = Accessory Only	
						G = Grade	

SP-2000 UTV HOPPER SPREADER

AUGER ASSEMBLY

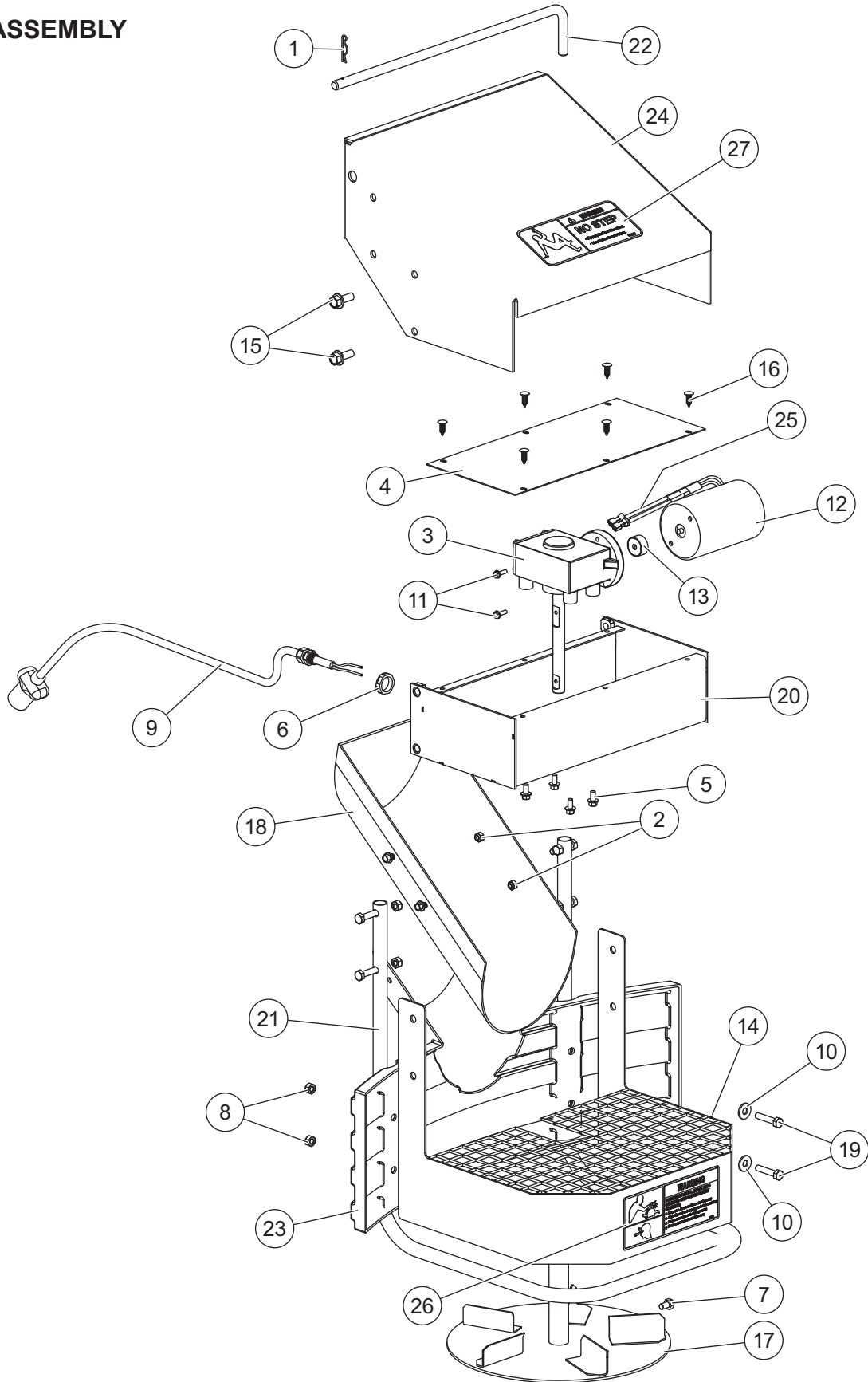


SP-2000 UTV HOPPER SPREADER

Auger Assembly							
Item	Part	Qty	Description	Item	Part	Qty	Description
1	51031	4	1/4-20 x 3/4 Serrated Flange Cap Screw SS	14	51074	4	1/2-13 x 1 Serrated Hex Cap Screw
2	91332	1	5/16-18 Hex Locknut GB	15	51076	1	Auger Drive Weldment
3	51034	1	5/16-18 x 3/8 Set Screw	16	51077	1	Auger Motor Cover
4	88266	2	#10-32 Hex Locknut	17	51087	1	Auger
5	51035	2	#10-32 x 2 Hex Cap Screw SS	18	51090	1	Transmission 30:1
6	90313	1	5/16 Flat Washer	19	51092	8	3/8-16 Serrated Flange Nut
7	68494	1	5/16-18 x 1 Hex Cap Screw	20	51096	1	Spinner Motor Connector
8	51039	2	#10-32 x 5/8 Serrated Flange Cap Screw w/Patch	21	88269	1	Lower Rail Mount Bracket Right
9	51040	1	3" 12 V DC Motor w/2-Pin Connector	22	51098	1	Lower Rail Mount Bracket Left
10	51041	1	Motor Drive Coupler	23	51101	1	1/2" NPT Nut Black Nylon
11	51043	1	5/8 Bearing 4 Bolt Flange	24	93106	1	Label, Warning – Read Manual
12	51050	6	1/4 x 3/4 x 1/2 Push Retainer	25†	51107	1	Auger Tube Restrictor Kit
13	51051	1	3/8 Wire Clamp	26	93114	1	Label, Warning – Rotating Auger
				27	93115	1	Label, Warning – Do Not Remove
Item 25†				51107 Auger Tube Restrictor Kit			
28	88275	1	Auger Tube	35	90313	2	5/16 Flat Washer
29	88277	1	Gate Slide, Auger Tube	36	91332	2	5/16-18 Hex Locknut GB
30	88278	1	Material Baffle	37	51031	4	1/4-20 x 3/4 Hex Cap Screw, Serrated Flange SS
31	88276	1	End Cap, Auger Tube	38	50969	4	1/4 Flat Washer SS
32	88281	1	Edge Grip Seal – 36"	39	50970	4	1/4-20 Hex Locknut Waxed SS
33	88282	1	1-1/4 Adhesive-Back Foam – 18"	40	88274	1	1/4-20 Wing Nut SS
34	68494	2	5/16-18 x 1 Hex Cap Screw G5				
SS = Stainless Steel		† = Accessory Only		G = Grade			

SP-2000 UTV HOPPER SPREADER

DRIVE ASSEMBLY

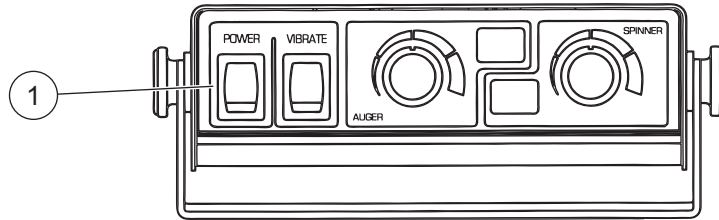


SP-2000 UTV HOPPER SPREADER

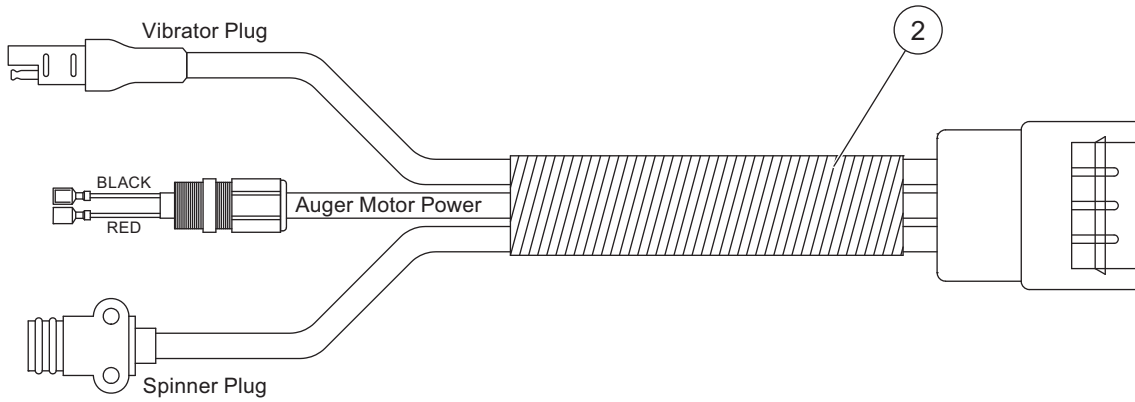
Drive Assembly							
Item	Part	Qty	Description	Item	Part	Qty	Description
1	51024	1	0.093 x 2-3/8 Hairpin Cotter	14	93112	1	Spinner Guard
2	91331	4	1/4-20 Hex Locknut GB	15	51049	4	3/8-16 x 1 Serrated Flange Cap Screw Type F
3	51028	1	Transmission 8:1	16	51050	6	1/4 x 3/4 x 1/2 Push Retainer
4	51029	1	Spinner Drive Enclosure	17	51069	1	Spinner w/Extended Shaft 12"
5	51030	2	1/4-20 x 1/2 Serrated Flange Cap Screw SS	18	51070	1	Material Chute
6	51101	1	1/2" NPT Nut Black Nylon	19	51072	8	5/16-18 x 1-1/2 Tapping Screw
7	51032	1	5/16-18 x 1/2 Hex Cap Screw G5	20	51080	1	Spinner Drive Enclosure
8	91332	8	5/16-18 Hex Locknut GB	21	51081	1	Tubular Spinner Guard
9	51036	1	Power Cable	22	93123	1	Bent Pin
10	90313	4	5/16 Flat Washer	23	51089	1	Spinner Deflector
11	51039	2	#10-32 x 5/8 Serrated Flange Cap Screw w/Patch	24	51091	1	Drive Enclosure Shroud
12	51040	1	3" 12 V DC Motor w/2-Pin	25	51097	1	Auger Motor Connector
13	51041	1	Motor Drive Coupler	26	93109	1	Label, Warning Rotating Parts
				27	93110	1	Label, Warning No Step
ns = not shown			SS = Stainless Steel			G = Grade	

SP-2000 UTV HOPPER SPREADER

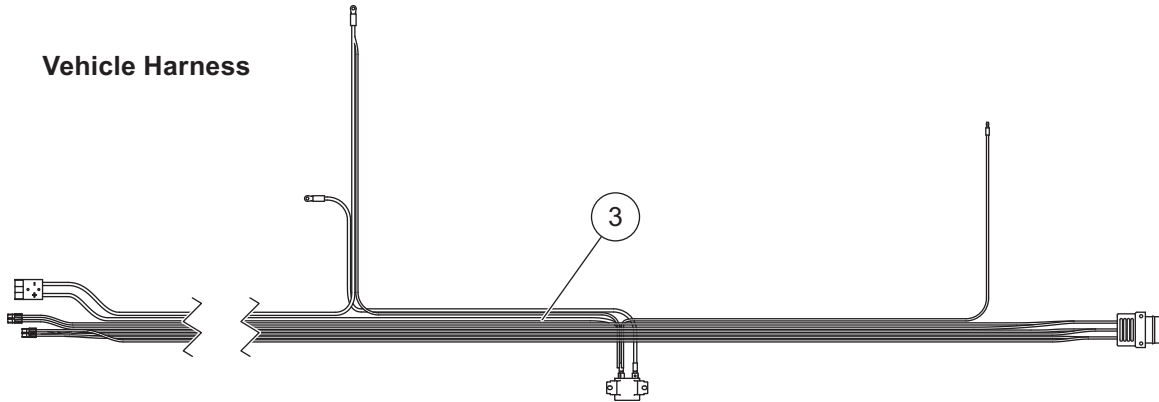
ELECTRICAL COMPONENTS



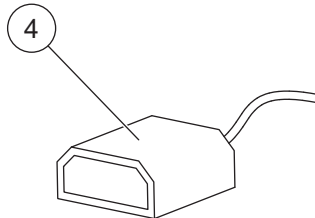
Spreader Harness



Vehicle Harness



Dust Cover



Not drawn to scale.

SP-2000 UTV HOPPER SPREADER

Electrical Components							
Item	Part	Qty	Description	Item	Part	Qty	Description
1	D6527	1	Spreader Control	3	93111	1	Vehicle Harness
2	51067	1	Spreader Harness	4	93113	1	Harness Dust Cover

SP-2000 UTV HOPPER SPREADER



TrynEx International
531 Ajax Drive
Madison Heights, MI 48071-2429
www.snowexproducts.com

 A DIVISION OF DOUGLAS DYNAMICS, LLC

Copyright © 2016 Douglas Dynamics, LLC. All rights reserved. This material may not be reproduced or copied, in whole or in part, in any printed, mechanical, electronic, film or other distribution and storage media, without the written consent of TrynEx International. Authorization to photocopy items for internal or personal use by TrynEx International outlets or spreader owner is granted.

TrynEx International reserves the right under its product improvement policy to change construction or design details and furnish equipment when so altered without reference to illustrations or specifications used. TrynEx International or the vehicle manufacturer may require or recommend optional equipment for spreaders. Do not exceed vehicle ratings with a spreader. TrynEx International offers a limited warranty for all spreaders and accessories. See separately printed page for this important information. The following are registered (®) or unregistered (™) trademarks of Douglas Dynamics, LLC: SnowEx®, TrynEx®.

Printed in U.S.A.