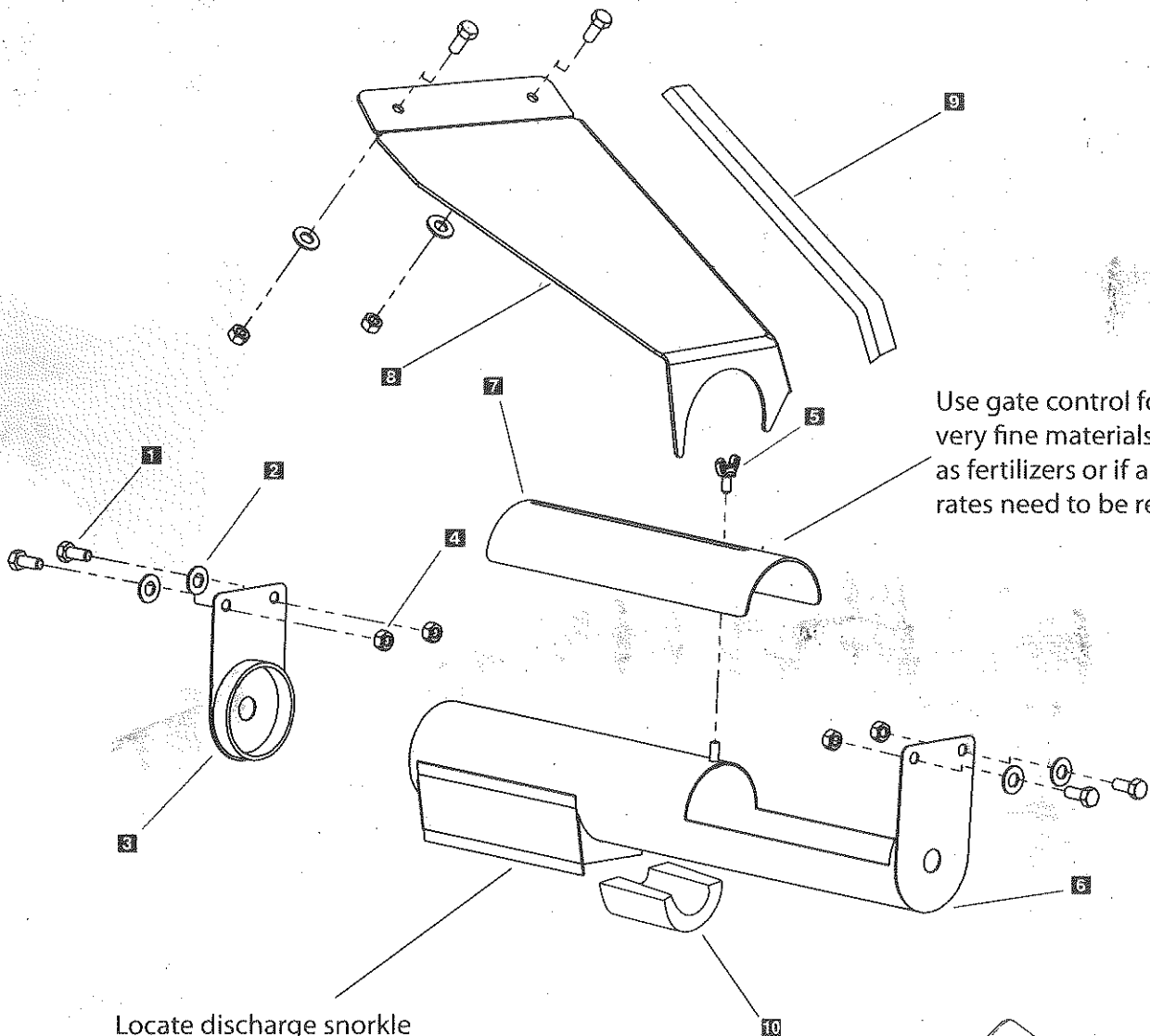


Spreader Flow Gate Control TRK-1875

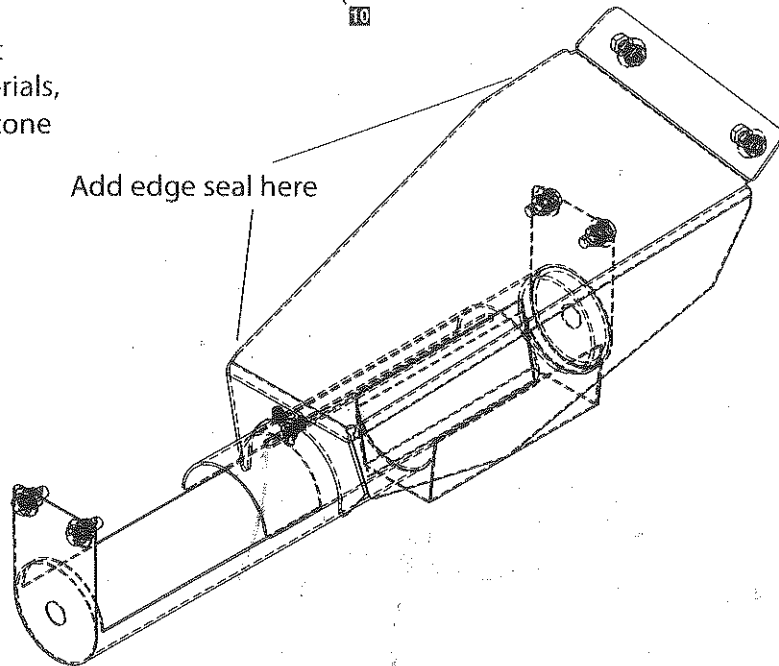
Exploded View



Use gate control for very fine materials such as fertilizers or if application rates need to be restricted.

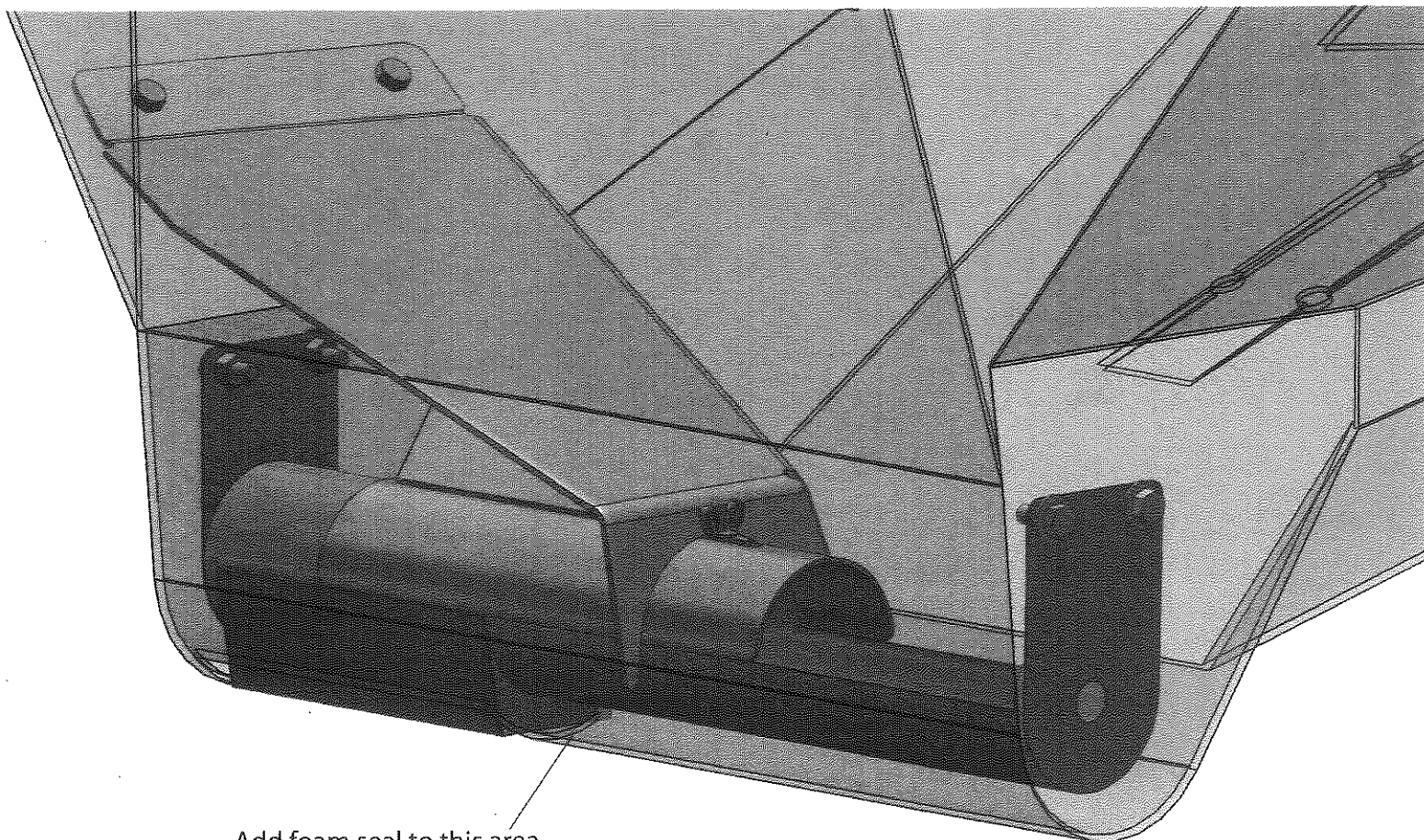
Locate discharge snorkle through hopper trough cut out. If using very fine materials, You may need to apply silicone to create a tighter seal.

Add edge seal here



Spreader Flow Gate Control TRK-1875

Exploded View



Add foam seal to this area

Key	Part No.	Description	Qty.
1	D 6132	5/16-18 X 3/4 SS HH	6
2	T 15014	5/16 Flat Washer SS	6
3	D 5957	End Cap	1
4	T 15016	5/16 -18 Nylock Nut	6
5	D 5583	1/4-20 Wing Nut SS	1
6	D 5955	Auger Tube	1
7	D 5958	Gate Cover	1
8	D 5988	Material Baffle	1
9	T 30008	Baffle Rubber Seal (36")	1
10	T 30012	1-1/4" Foam W/Adhesive (18")	1