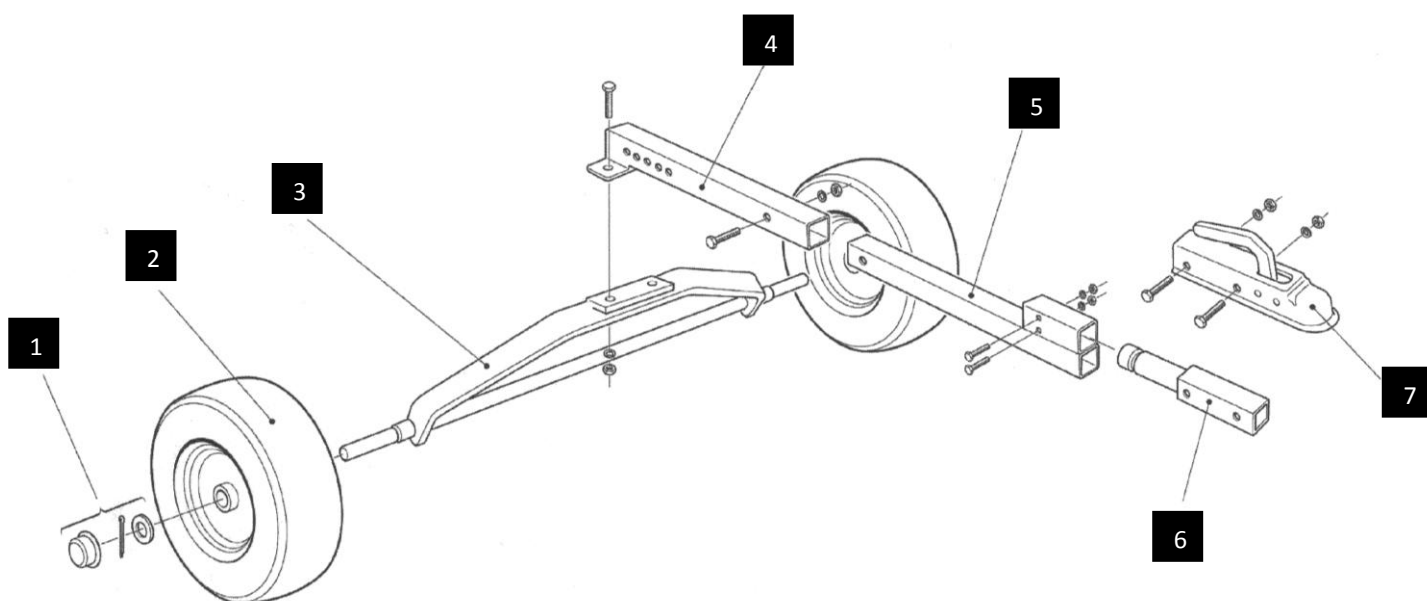


TLR - 275

PARTS LIST

QTY

1.	TLR275/01	Axle bracket	1
2.	TLR275/02	Drawbar mounting bracket	1
3.	TLR275/03	Drawbar	1
4.	TLR275/04	Ball hitch swivel	1
5.	TLR/05	Ball hitch	1
6.	TLR275/06	Wheel	2
7.	TLR275/07	Pin and clip	1
8.	TLR275/08	Pin, Washer, Hub cap	2



Assembly

Bolt item 2 to item 1 using 2 OH 12x35 bolts and nuts
Insert item 3 into item 2 and secure using pin and R clip.
Insert item 4 into item 3 securing with 2 10x80 bolts and nuts.
Fix item 5 onto item 4 using 2 x 12x80 bolts and nuts.
Slide item 6 onto axle and secure with washer and pin.

Fitting the Spreader

Insert the mounting bracket into the back of the draw bar (item2), securing the pin supplied with the spreader.

The rear of the draw bar of the TLR-275 has four holes provided to allow adjustment of the weight distribution upon the TLR-275, therefore to ensure that optimal draw bar weight of the vehicle is not exceeded, please refer to the tow vehicles instructions for details of the optimum loadings.