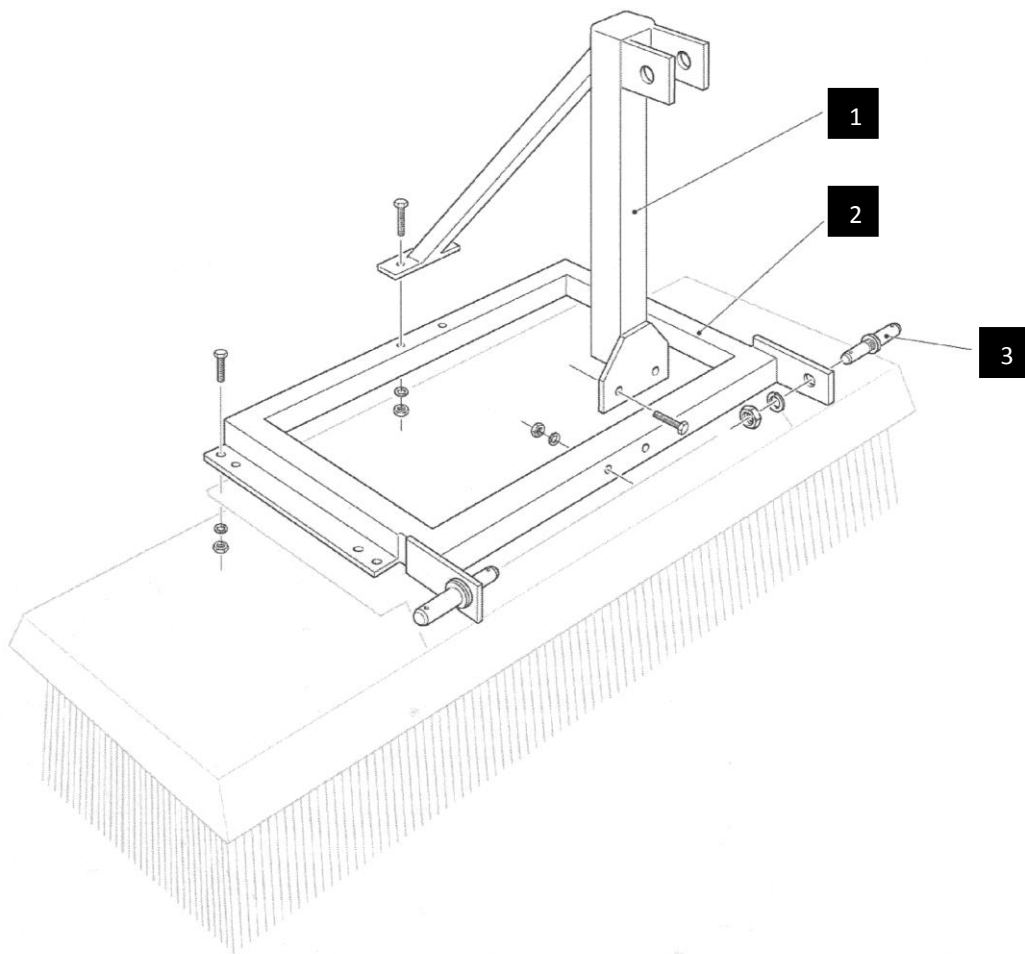


TPH 200



Remove vehicles existing ball hitch from the mounting bracket

Place TPH bracket onto the vehicle mounting bracket and place the ball hitch over the bolts and fasten Self locking nuts (ensure that the bolts are long enough they should be at least 2 threads slowing through the nuts when tight).

The Snowex spreader can now be mounted onto the TPH-200 by inserting the 2" receiver tube of the spreader, the 2" female receiver tube of the TPH-200 one located a locking pin (supplied with the spreader) can be inserted into the holes on the side of the hitch. To ensure all free play is removed tighten the pinch bolt on the hitch (19mm spanner or socket required).