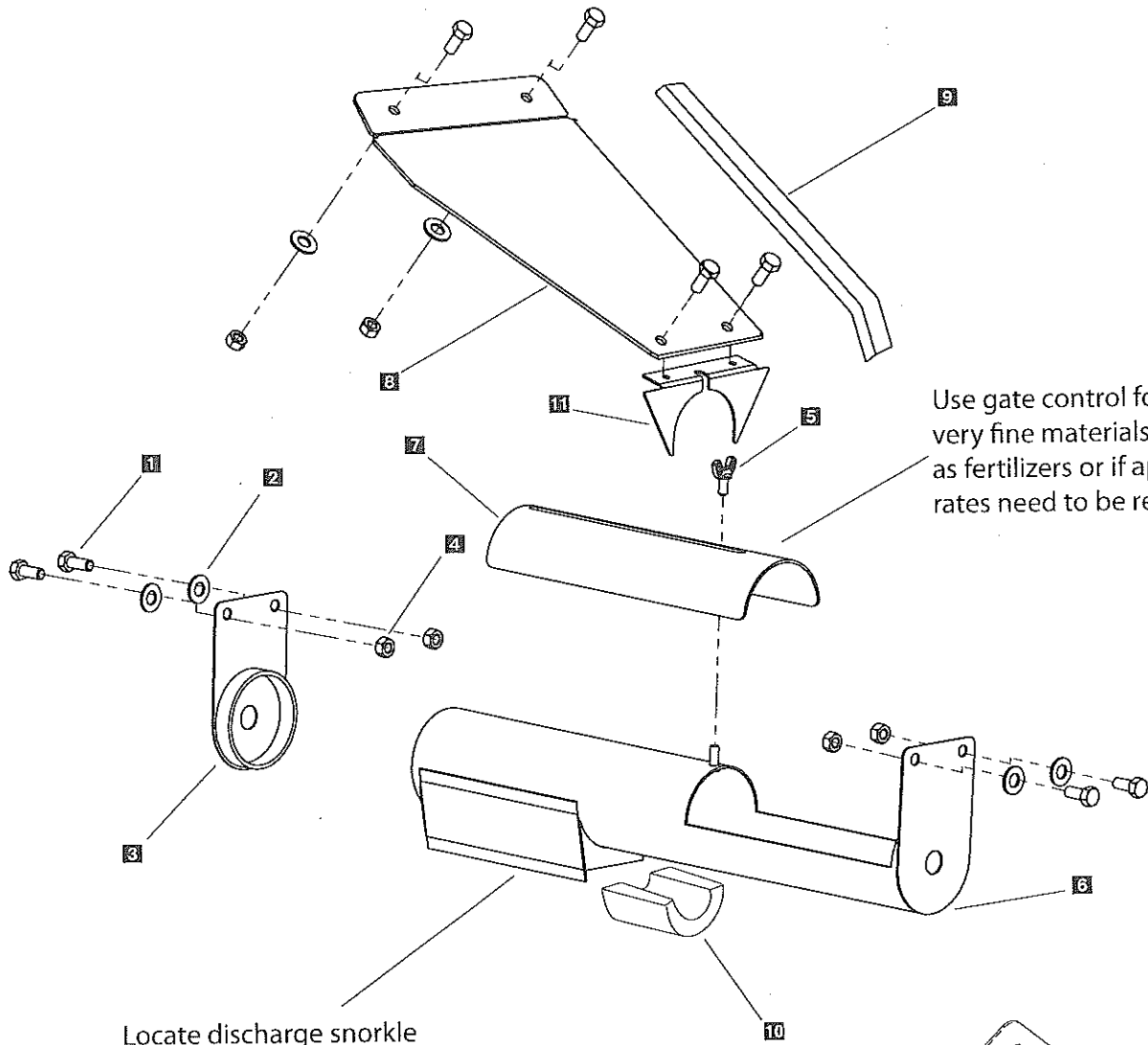


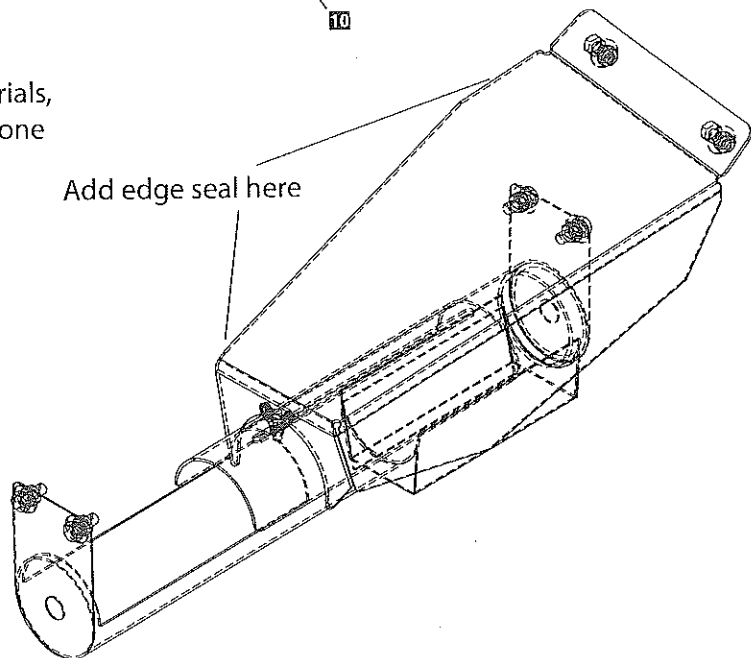
# Spreader Flow Gate Control TRK-1575

## Exploded View



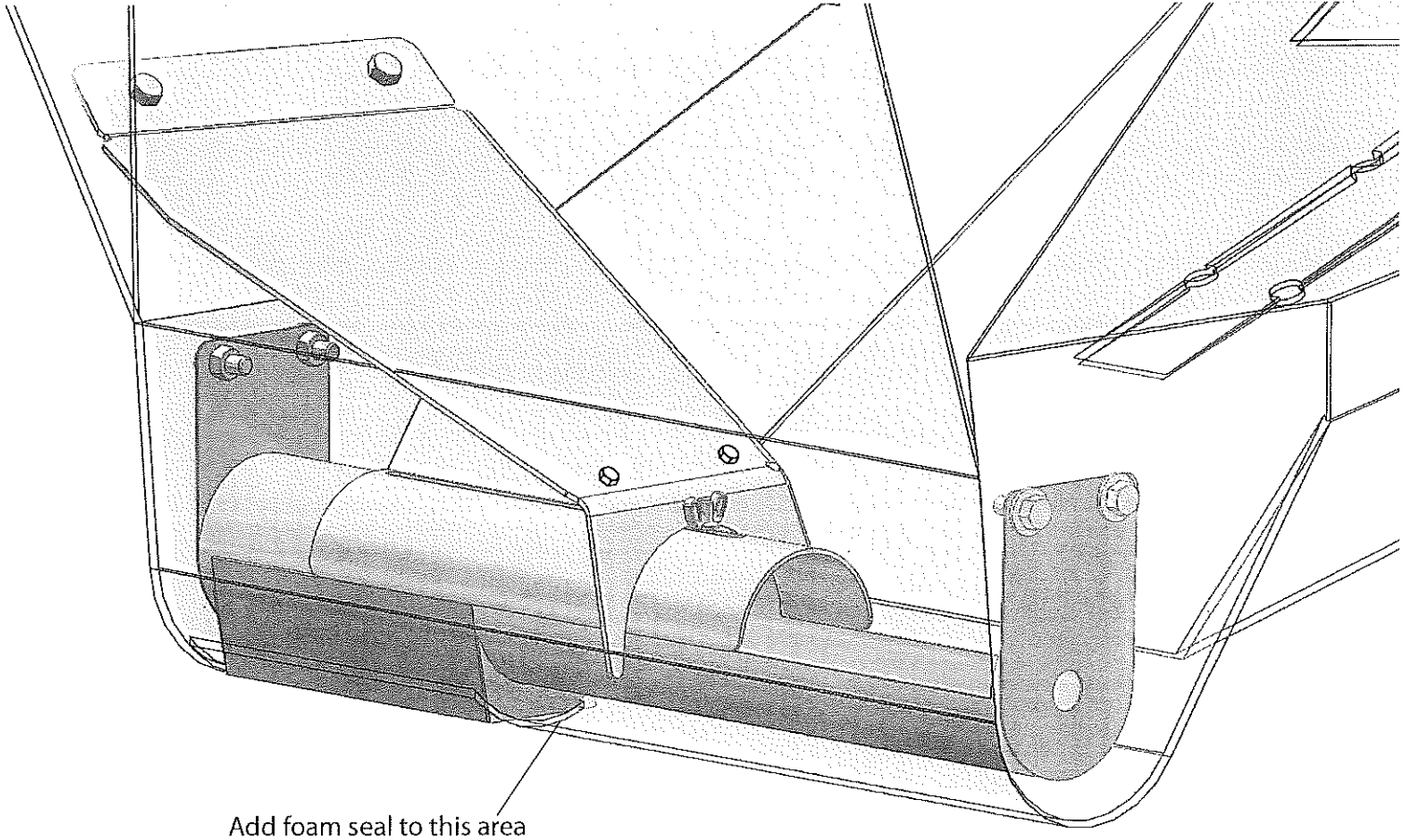
Locate discharge snorkle through hopper trough cut out. If using very fine materials, You may need to apply silicone to create a tighter seal.

Add edge seal here



# Spreader Flow Gate Control TRK-1575

## Exploded View



Add foam seal to this area

Key	Part No.	Description	Qty.
1	D 6132	5/16-18 X 3/4 SS HH	6
2	T 15014	5/16 Flat Washer SS	6
3	D 5112	End Cap	1
4	T 15016	5/16 -18 Nylock Nut	6
5	D 5583	1/4-20 Wing Nut SS	1
6	D 5117	Auger Tube	1
7	D 5958	Gate Cover	1
8	D 5989	Material Baffle	1
9	T 30008	Baffle Rubber Seal (36")	1
10	T 30012	1-1/4" Foam W/Adhesive (18")	1
11	D 5125	Material Baffle Bracket	1